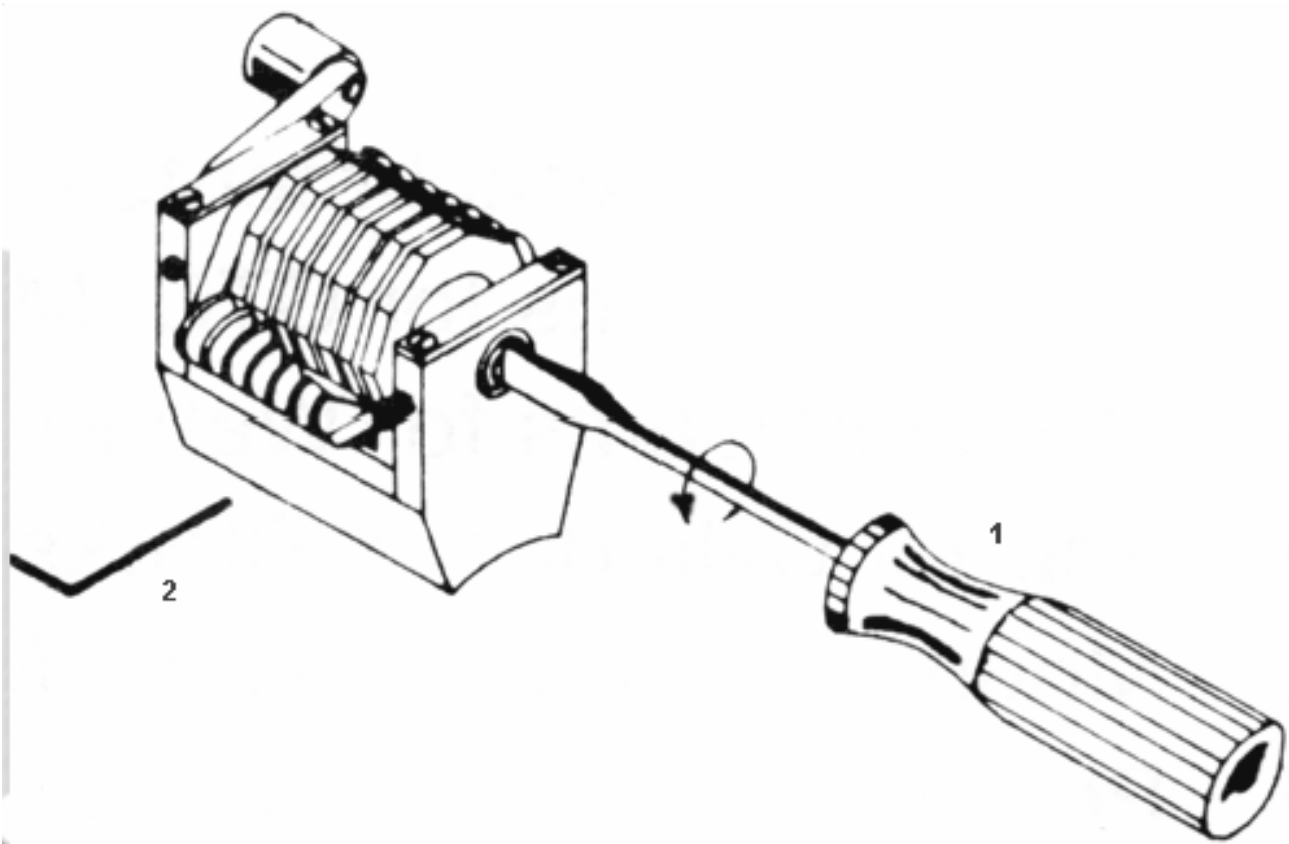


ROTARY NUMBERING MACHINE ASSEMBLY



When fitting spring return operating arms, e.g. after cleaning, the spring must be pre-tensioned so that the actuating pawl is in its lowest position.

Using a screwdriver (1) in the slotted end of the shaft, turn it so that the slot is vertical. Whilst keeping it in this position tighten the shaft set screw with an Allen key.

Turn the screwdriver clockwise on prefix arm and anti-clockwise on unit arms.

IMPORTANT: It is essential to use a special shaft set screw with a longer spigot (2mm diameter x 3mm long).
(2)